

Project:	
Type:	
Model#	

FLM Series LED Flood Light

PRODUCT DESCRIPTION

The Luminoso FLM series combines modern styling with the latest LED technology. They are available in 20, 35, 45, 70, and 200 watts. The lumen output make this product ideal for nearly any exterior lighting application. With up to 70% energy savings over its traditional counterparts the FLM presents the future of area lighting.

PERFORMANCE SUMMARY

Efficacy: 119 - 120 Lm/W
Delivered Light Output: 16,700 - 24,000 Lumens
Input Power: 140 - 200 Watts
CRI: Ra > 80
CCT : 4000K 5000K
Input Voltage: 110-277V
Power Factor: >0.95 (120V)
Frequency: 50/60Hz
Standard Warranty: 5 Years
Standard Lifetime: 50,000 hours
IP Rating: IP66 / Wet Rated
Die-cast aluminum housing
National listing lab tested with IES standards



Slip fitter



REGULATORY & VOLUNTARY QUALIFICATIONS

UL Listed

ORDER INFORMATION

EXAMPLE: FLM-200W-Y-50K-D-16-BZ



Series	Wattage	Voltage	CCT	Beam	Mount	Finish
FLM	140W 200W	Y = 120-277V	40K = 4000K 50K = 5000K	D = 105°	16= Slip Fitter 22= Trunnion	BZ = Bronze WH = White

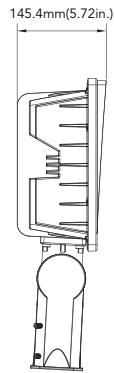
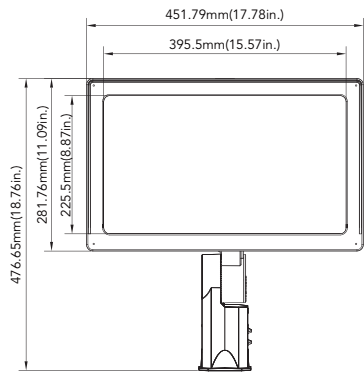
Enter configuration:

** Special Order / contact vendor

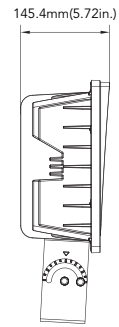
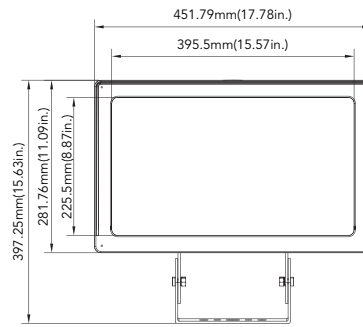
Series / Performance

Series No.	FLM-140W	FLM-200W
Power	140W	200W
Lumens	16,700	24,000
Efficacy	119 Lm/W	120 Lm/W
Operating Temp.	-13°F to 113°F	-13°F to 113°F
Dimensions (L x W x H)	5.7 x 17.8 x 18.6 in	5.7 x 17.8 x 18.6 in
Input	120-277V AC	120-277V AC

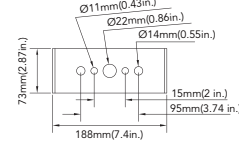
Dimensions



Weight
140W: 18.34lb
200W: 19.22lb



Weight
140W: 18.63lb
200W: 19.51lb



Luminous Intensity Distribution Curve

