

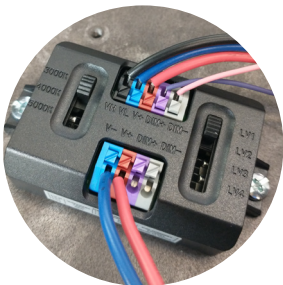
Specifications:

- Die cast aluminum housing.
- UV coated Polycarbonate lens provides outstanding performance, uniformity and glare control.
- Replaces 100W and 400W Metal Halide.
- Wattage Selectable.
- CCT Selectable, can be changed to 3000K/4000K/5000K.
- Lumen Packages from 7,700 to 11,500 Lumens.
- Efficacy 118 - 128lm/W
- Standard colors: Bronze and White.
- Each LED module is 100% tested prior to assembly.
- IP65 rated.
- IK10 Rated.
- 120-277VAC 50/60Hz.
- Photocell optional.
- 8W Emergency Battery Back-up (option)

Project:	Date
Type:	
Model:	



CCT & Power Level Selectable



ACCESSORIES	
	Photocell USE: Photocell is field installed or pre-installed in factory by requesting
	Emergency Battery Backup USE: It can be pre-installed in factory or field installed
	Power and CCT controller USE: The wattage and CCT can be changed by switch selection on the controller.

ORDER INFORMATION

EXAMPLE: MWPK3-WS65-Y-CCTS-BZ



Series	Wattage Selectable	Voltage	CCTS	Photocell	Motion Sensor	Finish
MWPK3 Wall Pack	WS65 (65W / 55W / 40W / 27W)	Y 120-277V	CCTS (Color Temp. Selectable) 3000K / 4000K / 5000K	Blank Standard	Blank Standard	BZ Bronze
	WS100 (100W / 85W / 60W / 40W)					

Enter configuration: _____

**6-8 weeks

Dimensions and values shown are nominal. LuminosoLED continually works to improve products and reserves the right to make changes which may alter the performance or appearance of products.

PERFORMANCE DATA ADJUSTABLE LUMEN OUTPUT TABLE

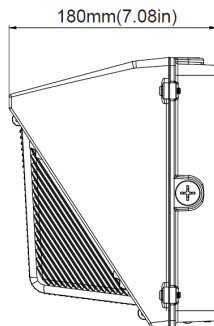
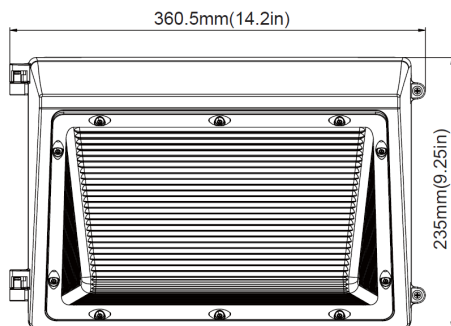
SYSTEM WATTS	VOLTAGE	CRI	LUMENS (3000K)	LPW (3000K)	LUMENS (4000K)	LPW (4000K)	LUMENS (5000K)	LPW (5000K)
65W	120-277VAC	70	7,700lm	118 lm/W	8,300lm	128 lm/W	7,900lm	122 lm/W
100W	120-277VAC	70	11,500lm	115 lm/W	12,000lm	120 lm/W	11,600lm	116 lm/W

SETTING	CCT	CRI	SYSTEM WATTS (65W)	LUMENS (65W)	SYSTEM WATTS (100W)	LUMENS (100W)
100%	3000K	70	67.17	7761.40	99.40	11604.80
	4000K	70	63.67	8334.40	94.13	12123.00
	5000K	70	67.30	7950.20	99.88	11702.10
80%	3000K	70	55.34	6695.36	87.62	10620.13
	4000K	70	52.46	7189.66	82.97	11094.36
	5000K	70	55.45	6857.84	88.04	10708.59
60%	3000K	70	40.97	5275.51	62.02	8200.25
	4000K	70	38.84	5664.98	58.73	8566.43
	5000K	70	41.05	5403.75	62.32	8268.70
40%	3000K	70	27.50	3769.14	38.68	5512.80
	4000K	70	26.06	4047.40	36.63	5758.97
	5000K	70	27.55	3860.62	38.87	5558.50

ELECTRICAL DATA

Number Of Drivers	Driver Current (mA)	Nominal Power (W)	INPUT VOLTAGE (V)	CURRENT (Amps)
1	1110	65	120	0.54
		65	208	0.31
		65	240	0.27
		65	277	0.23
1	2500	100	120	0.83
		100	208	0.48
		100	240	0.42
		100	277	0.36

DIMENSIONS



Net Weight
65W: 6.724lb
100W: 7.319lb

PHOTOMETRICS

