

## DESCRIPTION

Our versatile post-top lighting solution, designed for mounting heights of 8 to 20 feet, combines aesthetics with functionality. Ideal for parking lots, drive lanes, entrances, perimeters, and pathways, it provides seamless, uniform illumination with an exceptional optical design. The clean, contemporary structure complements modern architecture and blends effortlessly with outdoor environments for a harmonious lighting solution.

## Construction

- Rugged die-cast aluminum housing secures the thermally conductive LED panel.
- Show off urban style by the simple shape and the solid material.
- Housing is completely sealed against moisture and environmental contaminants.

## Optics

- Standard 45W, 70W, 87W and 130W\*\*
- Wattage & CCT Selectable, 3000K, 4000K, 5000K.
- Lumen Packages from 5,400 to 17,200 Lumens.
- High-performance optical lenses crafted from UV-stabilized, optical-grade polymer deliver an optimized 5-meter distribution, ensuring target lumens and exceptional lighting uniformity.
- The optics can conform to dark sky requirement.

## Electrical

- Universal voltage of 120-277VAC.
- 0-10V dimming standard for a dimming range of 100% to 10%.
- The 130W optional for 4 positions wattage regulation: 130W, 87W, 70W, 45W.
- THD: 20%
- Power Factor: 90%

## Controls

- Optional PIR motion sensor.

## Lifespan

- Estimated 100,000-hour LED lifespan based on IES LM-80 results and TM-21 calculations.

Project:	Date
Type:	
Model:	



**CCT AND WATTAGE SELECTABLE**  
This fixture has the function of adjusting the lumens output and color temperature on-site.

**WATTAGE SELECT**

40%

60%

80%

100%

Supports 4 positions  
wattage regulation:  
130W, 87W, 70W, 45W

**CCT SELECT**

3500K

4000K

5000K

Offer three CCT adjustable  
(3500K, 4000K, 5000K).

## Ordering Example

WS & CCTS: SWR2-16-WS-CCTS-5M-Y-BZ

Standard: SWR2-16-130W-40K-5M-Y-BZ\*\*



Series	Wattage Selectable	Voltage	CCTS	Finish	Motion Sensor																
SWR2 LED Post Top	<b>WS</b> (130W / 87W / 70W / 45W)	<b>Y</b> 120-277V	<b>CCTS</b> (Color Temp. Selectable) 3000K / 4000K / 5000K	<b>BZ</b> Bronze  <b>WH**</b> White  <b>BK**</b> Black  <b>SV**</b> Silver Gray	<b>Blank</b> Blank = None  <b>MS</b> MS = Motion Sensor																
	<table style="width: 100%; border-collapse: collapse;"> <tr> <td style="text-align: center;"><b>45W</b></td> <td style="text-align: center;"><b>87W</b></td> <td style="text-align: center;"><b>**</b></td> </tr> <tr> <td style="text-align: center; font-size: 8px;">45 Watts</td> <td style="text-align: center; font-size: 8px;">87 Watts</td> <td></td> </tr> <tr> <td style="text-align: center;"><b>70W</b></td> <td style="text-align: center;"><b>130W</b></td> <td></td> </tr> <tr> <td style="text-align: center; font-size: 8px;">70 Watts</td> <td style="text-align: center; font-size: 8px;">130 Watts</td> <td></td> </tr> </table>		<b>45W</b>			<b>87W</b>	<b>**</b>	45 Watts	87 Watts		<b>70W</b>	<b>130W</b>		70 Watts	130 Watts		<table style="width: 100%; border-collapse: collapse;"> <tr> <td style="text-align: center;"><b>40K</b></td> <td style="text-align: center;"><b>**</b></td> </tr> <tr> <td style="text-align: center; font-size: 8px;">4000K</td> <td></td> </tr> <tr> <td style="text-align: center;"><b>50K</b></td> <td></td> </tr> <tr> <td style="text-align: center; font-size: 8px;">5000K</td> <td></td> </tr> </table>	<b>40K</b>	<b>**</b>	4000K	
<b>45W</b>	<b>87W</b>	<b>**</b>																			
45 Watts	87 Watts																				
<b>70W</b>	<b>130W</b>																				
70 Watts	130 Watts																				
<b>40K</b>	<b>**</b>																				
4000K																					
<b>50K</b>																					
5000K																					

Enter configuration:

\*\* 6 - 8 week lead time

Dimensions and values shown are nominal. LuminosoLED continually works to improve products and reserves the right to make changes which may alter the performance or appearance of products.

PERFORMANCE DATA (Wattage & CCT Selectable)

SWITCH SETTING	SETTING WATTS	VOLTAGE	CRI	LUMENS 3000 K	LPW 3000 K	LUMENS 4000 K	LPW 4000 K	LUMENS 5000 K	LPW 5000 K
LV1	130W	120-277VAC	70	16000 lm	123 lm/W	17200 lm	132 lm/W	16300 lm	125 lm/W
LV2	87W	120-277VAC	70	11600 lm	133 lm/W	12000 lm	138 lm/W	11800 lm	136 lm/W
LV3	70W	120-277VAC	70	9700 lm	139 lm/W	10000 lm	143 lm/W	9900 lm	141 lm/W
LV4	45W	120-277VAC	70	6500 lm	144 lm/W	6700 lm	149 lm/W	6600 lm	147 lm/W

PERFORMANCE DATA (Standard)

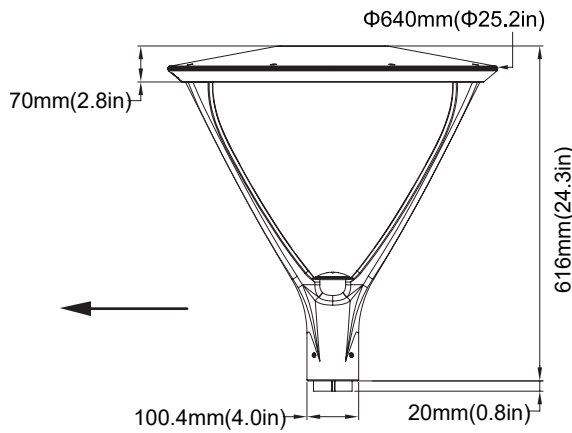
SYSTEM WATTS	VOLTAGE	CRI	LUMENS 3000 K	LPW 3000 K	LUMENS 4000 K	LPW 4000 K	LUMENS 5000 K	LPW 5000 K
45W	120-277VAC	70	5400 lm	120 lm/W	5450 lm	121 lm/W	5500 lm	122 lm/W
70W	120-277VAC	70	8400 lm	120 lm/W	8450 lm	121 lm/W	8500 lm	121 lm/W
87W	120-277VAC	70	10500 lm	121 lm/W	10600 lm	122 lm/W	10600 lm	122 lm/W
130W	120-277VAC	70	16000 lm	123 lm/W	16300 lm	125 lm/W	16300 lm	125 lm/W

DIMENSION

unit: inch/mm

**Pole Sleeve**

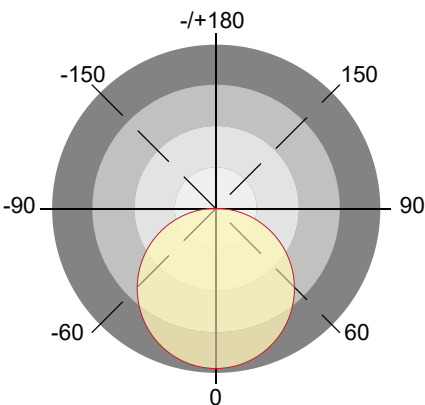
Net weight:  
130W: 25.699lbs



EPA OF POST TOP

Item	
EPA	0.9696

PHOTOMETRIC



Finish:

Black RAL9011	Dark Bronze RAL8019	Silver RAL7045	White RAL9016