

DESCRIPTION

Introducing our innovative LED bollard series – setting new standards in outdoor lighting. These bollards offer CCT and power selectability, allowing you to customize color temperature and brightness. With a sleek design and durable build, they seamlessly blend into any landscape. Smart energy management ensures efficiency, while easy installation and low maintenance make them hassle-free. Versatile for both residential and commercial use, these bollards redefine outdoor illumination, providing a perfect balance of style and functionality. Illuminate your space with brilliance and efficiency – experience the future of outdoor lighting.

FEATURES

- Bridgelux 2835 LED
- Up to 140lm/W
- Corrosion resistant aluminum exterior
- Housing color: Bronze/Black
- IP65 and IK10 rated
- 0-10V dimming (10%-100%)
- 10kV Surge Protection Standard
- Incorporated DIP switch for seamless adjustment of 3 CCT options, wattage, and photosensor settings.
- 5 years warranty

Project:	Date
Type:	
Model:	



ORDER INFORMATION

EXAMPLE: BLB-R-WS-Y-CCTS-30-BK



Series	Bollard Style	Wattage Selectable	Voltage	CCTS	EM Battery Back-up	Housing Height	Backlight Shield	Finish				
BLB Bollard	M (Modern)	WS (24W / 19W / 14W)	Y 120-277V	CCTS Selectable Color Temperature (3000K / 4000K / 5000K)	Blank None	20 20 inch	Blank None	BZ Bronze				
	D (Round Dome)								EB Emergency Battery Back-up	25 25 inch	BS 180° Backlight Shield	BK Black
	R (Round Flat)								AM** (Amber)	30 30 inch		
	RL (Round with Louver Reflector)								TURTLE FRIENDLY	35 35 inch		
	DL (Dome with Louver Reflector)									40 40 inch		
	S (Square)											

Enter configuration:

Special order **

Dimensions and values shown are nominal. LuminosoLED continually works to improve products and reserves the right to make changes which may alter the performance or appearance of products.

BLB Bollards

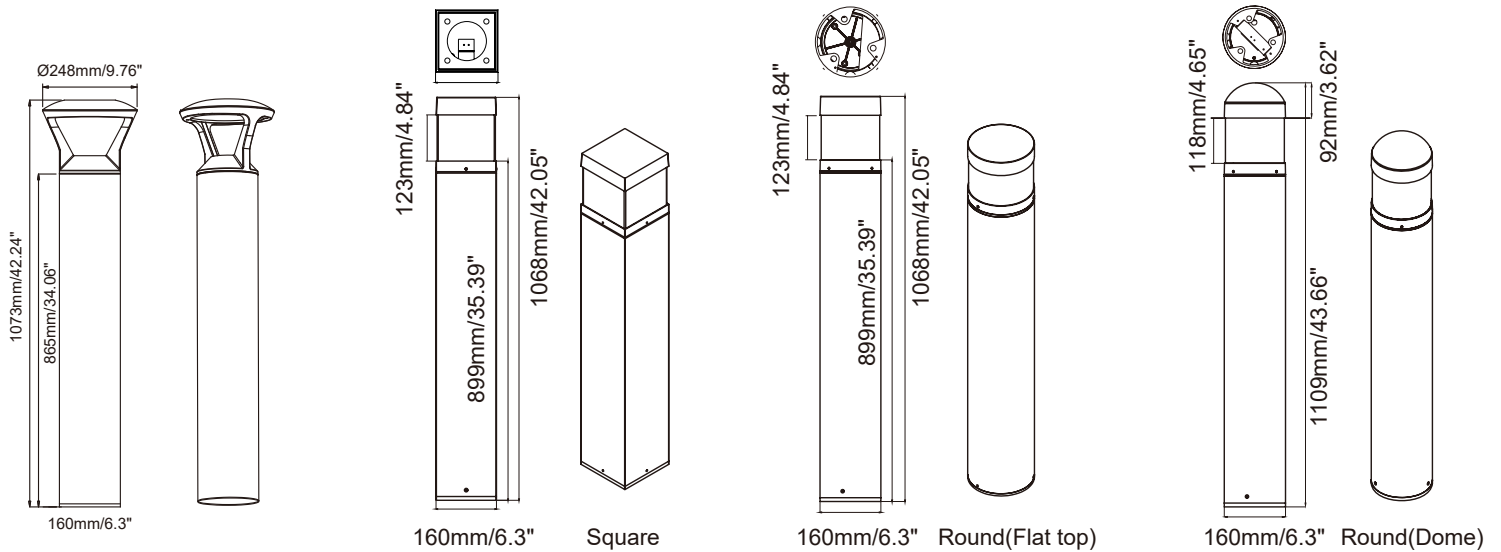
Specifications & Measurements

PERFORMANCE

Model	Wattage Selectable	Lumens	Lm/W	CCT Selectable	Dimming	Power Factor	CRI	Beam	Voltage	Frequency
BLBD Round Dome	24W / 19W / 14W	3,360 2,660 1,960	140lm/W	30K/40K/50K Selectable	0-10V	>0.95	>70	110°	120-277V	50/60Hz
BLBR Round Flat		3,360 2,660 1,960	140lm/W							
BLBRL Round Louver Reflector		1,800 1,420 1,000	75lm/W							
BLBDL Dome Louver Reflector		1,800 1,420 1,000	75lm/W							
BLBS Square		3,100 2,470 1,800	130lm/W							

Model	Wattage Selectable	Lumens	Lm/W	CCT Selectable	Dimming	Power Factor	CRI	Beam	Voltage	Frequency
BLBM Modern	24W / 19W / 14W	3,000 2,300 1,750	125lm/W	30K/40K/50K Selectable	0-10V	>0.95	>70	110°	120-277V	50/60Hz

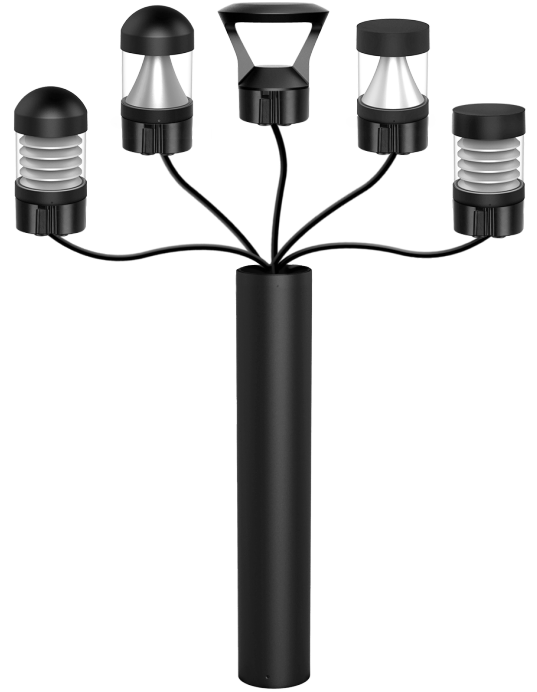
DIMENSIONS



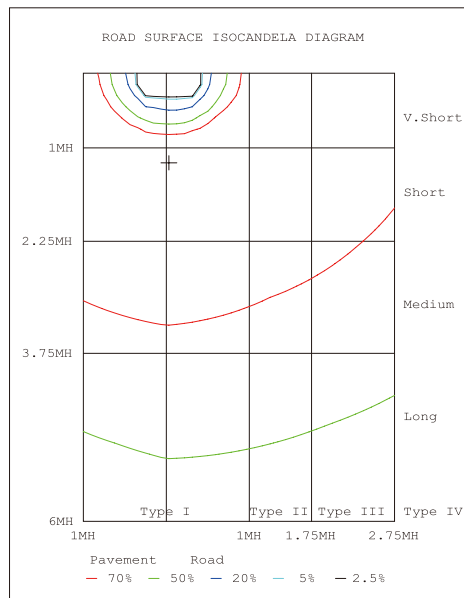
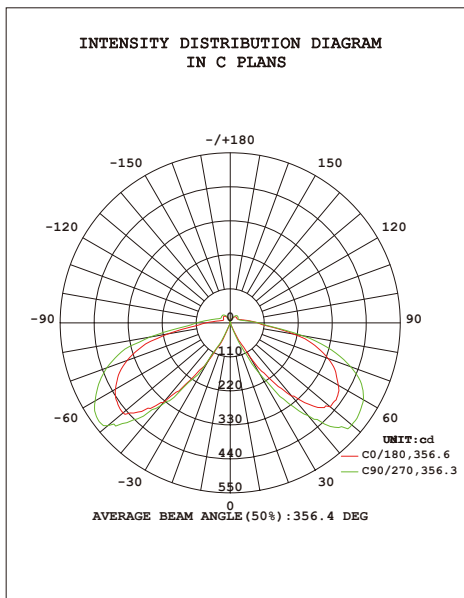
180° DEGREE BACK SHIELD



INTERCHANGEABLE MODULES



PHOTOMETRIC



IMPORTANT

CAUTION: Please read these instructions thoroughly before proceeding with the installation of the fixture. Keep this manual for future reference.

Fixtures must be connected in compliance with the National Electrical Code and all relevant local codes. It is essential to ensure proper grounding for safety purposes. The installation of this product must be carried out by a person familiar with both the construction and operation of the product, as well as the associated hazards. Adherence to the applicable installation code is mandatory.

WARNING: Prior to installing or performing maintenance on the fixture, ensure that the power is turned OFF. There are no user-serviceable parts inside.

WARNING: Installation must be conducted on a level surface and above grade.

CAUTION: Utilize a power supply voltage within the range of 120-277V, operating at 50/60 Hz.

Suitable for mounting at a height of 1.2m (4ft) above the ground.

Designed for operation in ambient temperatures not exceeding 55°C.

LOCATION

CAUTION: Prior to installation, ensure the alignment of the Bollard Base is in the orientation that achieves the desired Bollard fixture position.

Designed for wet locations.

1. Mount the Bollard on a stable, level surface.
2. Anchor Bolts can be utilized for new concrete installations.
3. In all other applications, use anchors appropriate for the specific mounting surface.
4. The mounting base must be positioned above grade, with a minimum recommended height of 1-1/2 inches.

ANCHOR BOLT INSTALLATION (Anchor bolt kits included)

CAUTION: Ensure installation is carried out in compliance with all relevant local codes.

Install Anchor Bolts into the concrete foundation (to be performed by others) utilizing the Anchor Bolt Carrier (see Fig. 1) for Round Bollard, Fig. 2 for Square Bollard) or the provided templates (refer to Fig. 8). Alternatively, the Bollard Base can serve as the template. Ensure that Bolt Threads extend approximately 1-1/2 inches from the concrete surface (see Fig. 3).

Fig: 1

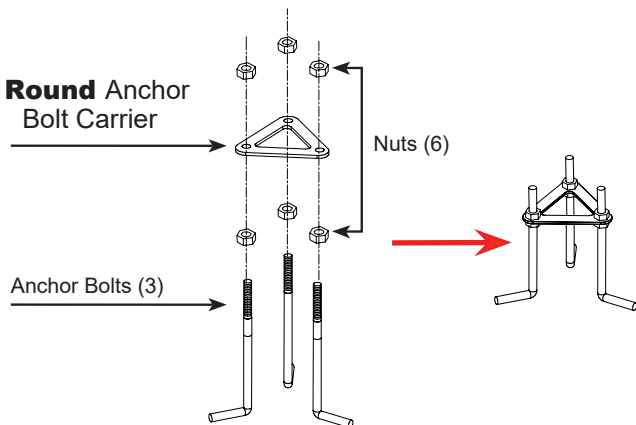


Fig: 2

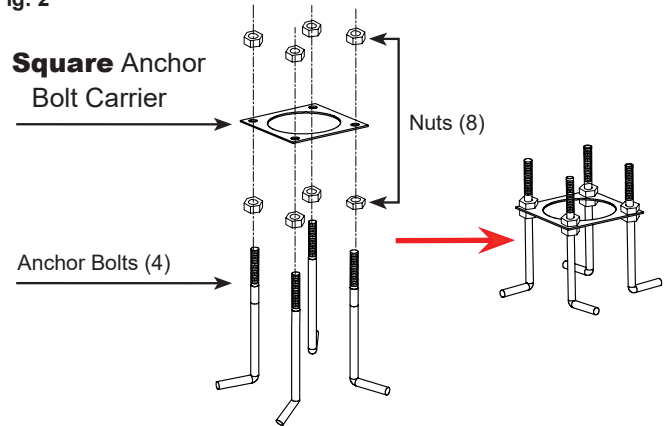
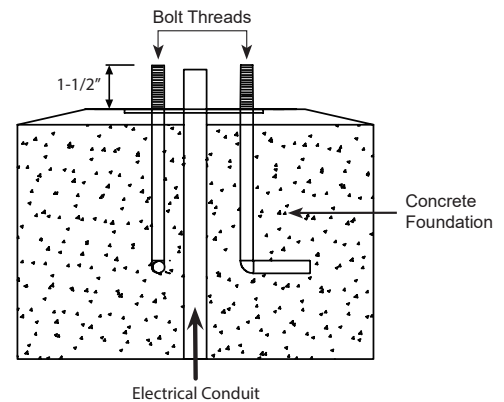


Fig: 3



Round Hardware		Square Hardware	
	Anchor Bolt Plate x1		Anchor Bolt Plate x1
	M10*8 Nut x12		M10*8 Nut x16
	M10 Spring Washer x3		M10 Spring Washer x4
	M10 Flat Washer x6		M10 Flat Washer x8
	Anchor Bolt x3		Anchor Bolt x4
	Hex Wrench x1		Hex Wrench x1

BOLLARD BASE

1. Remove screws at the bottom of the Housing to separate Bollard Base from Housing (Fig. 4).
2. Position the Bollard Base over the Anchor Bolts (Fig. 5).
3. If leveling is needed, consider adding additional washers (not provided) under the Mounting Base.
4. Secure the Mounting Base to the foundation using the provided hardware (Fig. 6).
5. Ensure that supply leads extend sufficiently for fixture connections. Make wiring connections using Terminal Block or UL-approved connectors.
6. Connect fixture wires to the Terminal Block (see Fig. 6 and Fig. 7).
7. Slide the Housing onto the Bollard Base and secure it with the provided screws (Fig. 8).

Fig: 4

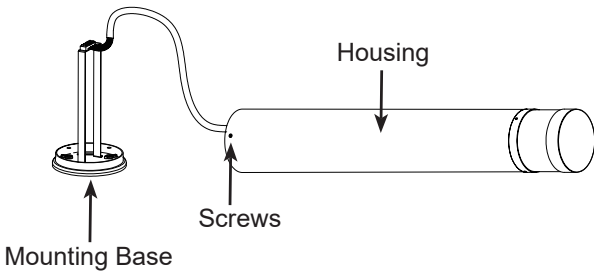


Fig: 5

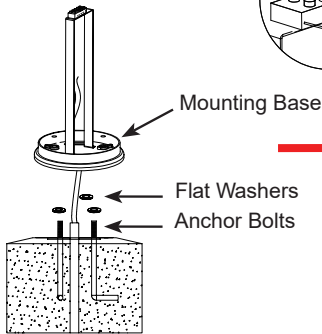


Fig: 6

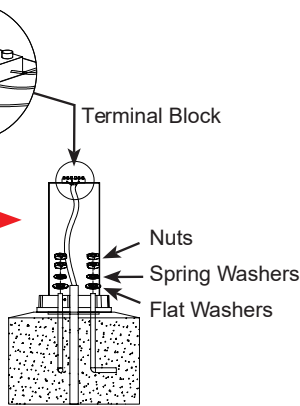


Fig: 7

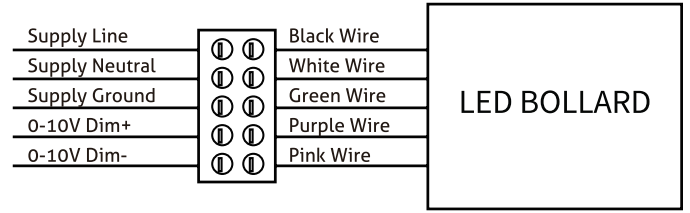
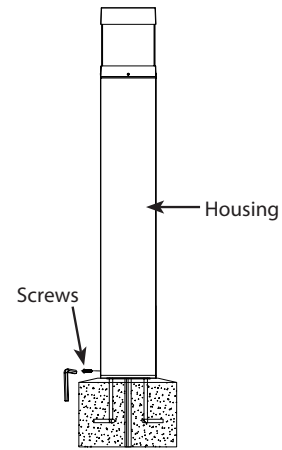
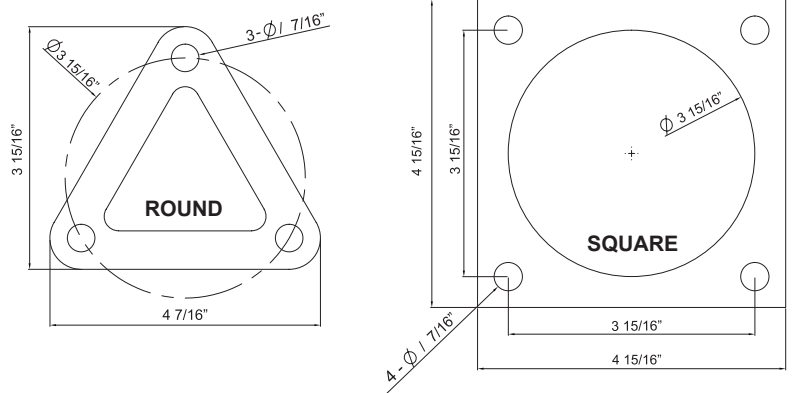


Fig: 8



Anchor Bolt Template (Drawing not to scale)



BOLLARD BASE

To modify the Fixture Power (W), Color Temperature (CCT), and/or Photocell ON/OFF position from the factory settings, adhere to the instructions below: (CAUTION: Do not switch settings under a load. Ensure power is turned OFF before adjusting the Field Adjustment Switches.)

Factory Default Settings:

Power (W): 24Watts

Color Temperature (CCT): 4000K

Photocell: OFF

1. Unscrew the side screws of the Housing to detach the Bollard Head from the Housing, following the guidance in Fig. 9 for Round Bollard and Fig. 10 for Square Bollard.
2. For Round Bollard, take out the (2) Field Adjust Switch Covers situated beneath the Round Bollard Head. Remove the covers to gain access to the Field Adjust Switches (refer to Fig. 11).
3. For Square Bollard, remove the Bollard Head and locate the Field Adjust Switches on the top of the Housing, as illustrated in Fig. 10.
4. Choose the desired Power (W), Color Temperature (CCT), and/or Photocell ON/OFF option by smoothly sliding the corresponding switch to the preferred setting. Refer to Fig. 11 for Round Bollard or Fig. 12 for Square Bollard. After making adjustments, replace the switch covers.
5. Reattach the Bollard Head to the Housing and secure it in place using the provided screws, as indicated in Fig. 13.

Fig: 9

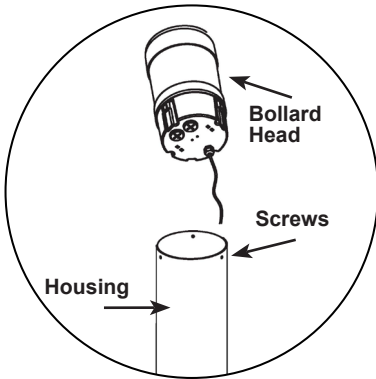


Fig: 10

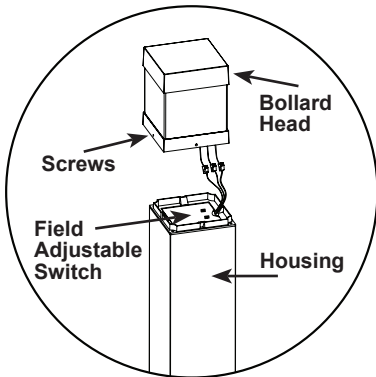
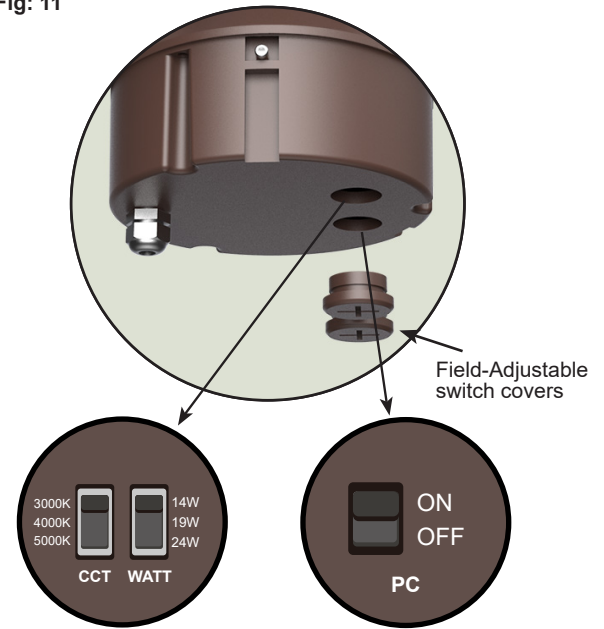


Fig: 11



Field-Adjustable switches

Switch for Photocell

Fig: 12

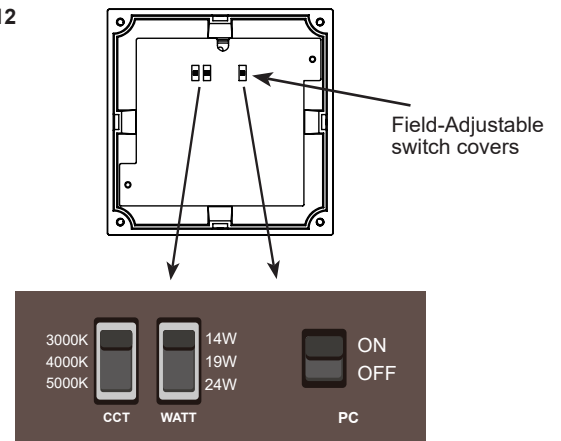


Fig: 13

