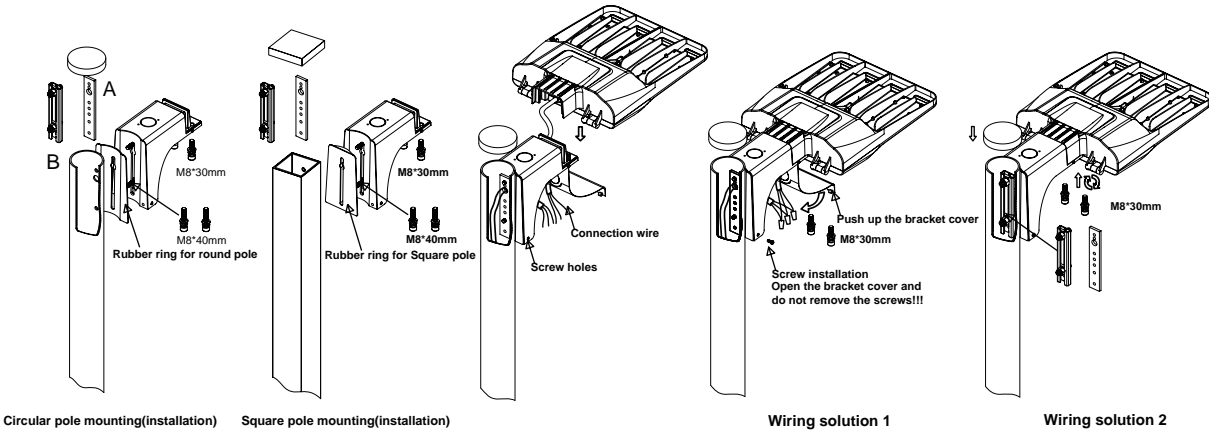
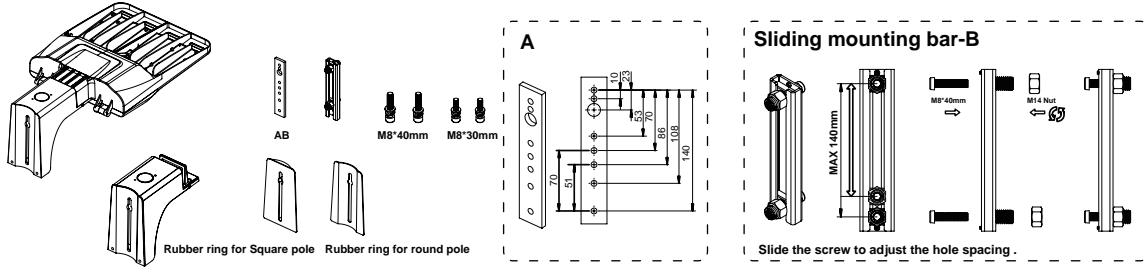
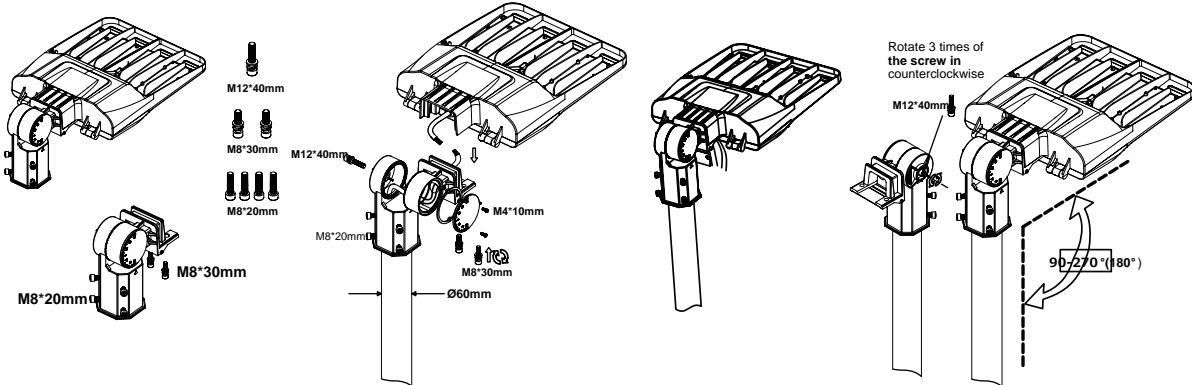


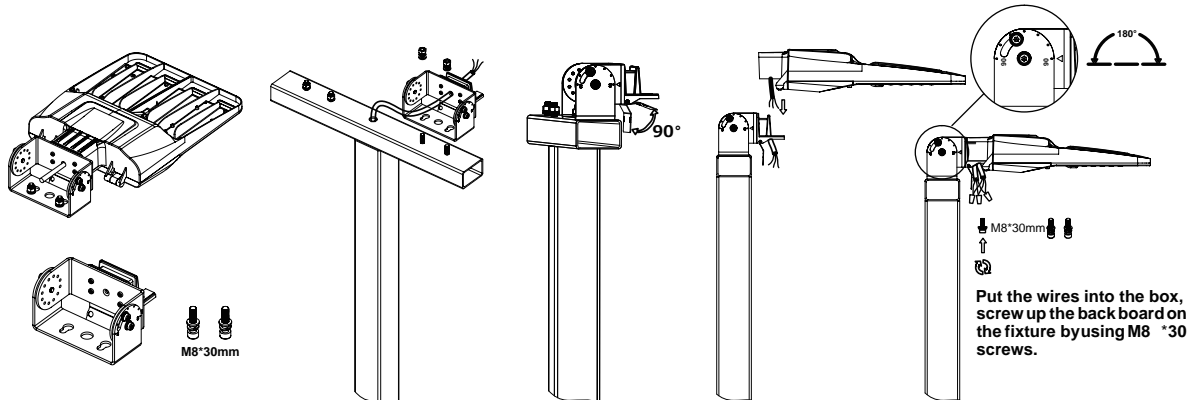
DA (Direct Arm Mount)



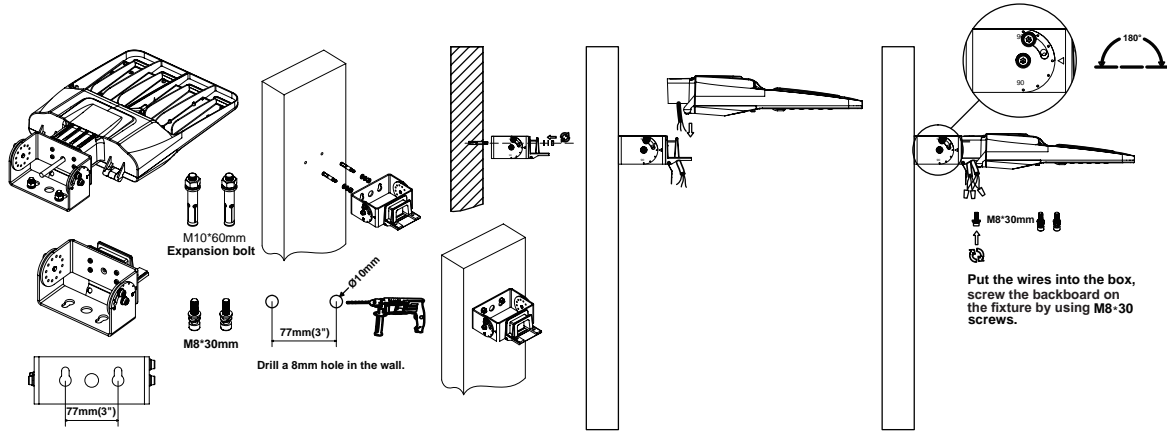
SF (Slip Fitter)



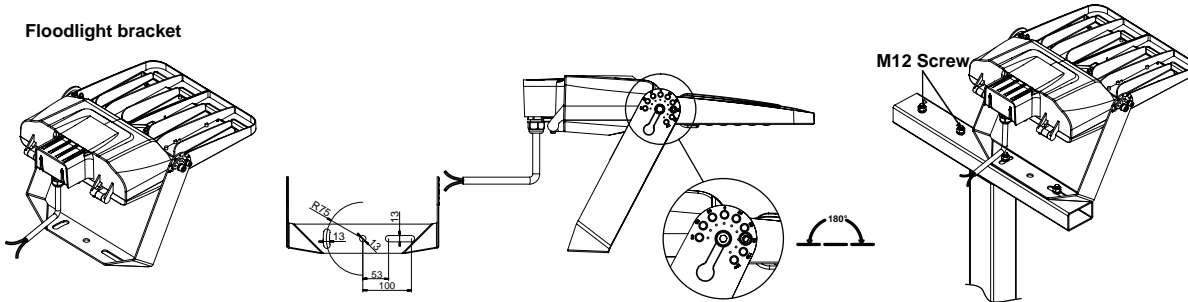
TR (Trunion)



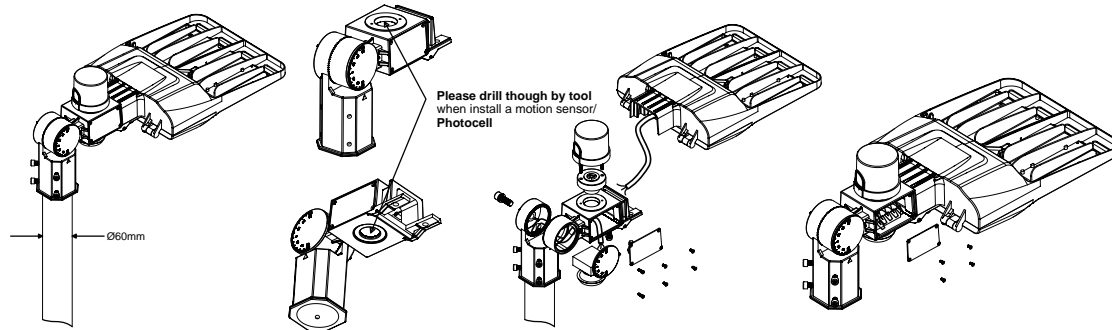
TR (Trunnion)



Floodlight bracket



How to install a photocell/ motion sensor on SF bracket



How to install a photocell/ motion sensor on DA (Direct Arm Mount) bracket

