

Project:	Date
Type:	
Model:	

## GLZ4 Series LED Area Light

Area / Roadway / Parking

### Features

#### Construction:

- Rugged one-piece, die-cast aluminum housing secures the thermally conductive LED panel and electrical chamber.
- Housing is completely sealed against moisture and environmental contaminants.

#### Optics:

- Available in IES Type II, III, IV, V, and 90°x120° distributions.
- Light engines are available in standard 3000K, 3500K, 4000K and 5000K (80 CRI) configurations.
- Scalable Lumen Packages from 13,600 to 84,200 Lumens replaces up to 1000W Metal Halide.
- Optics is precisely designed to shape the distribution, maximizing efficiency and application spacing.

#### Electrical:

- Universal 120-277 VAC or 347-480 VAC input voltage
- Standard with 0-10V dimming driver(s)
- THD: ≤15%
- Power Factor: 0.95
- 20kV Surge Protection Standard

#### Controls:

- 0-10V, DMX.DALI Optional
- Optional Photocell

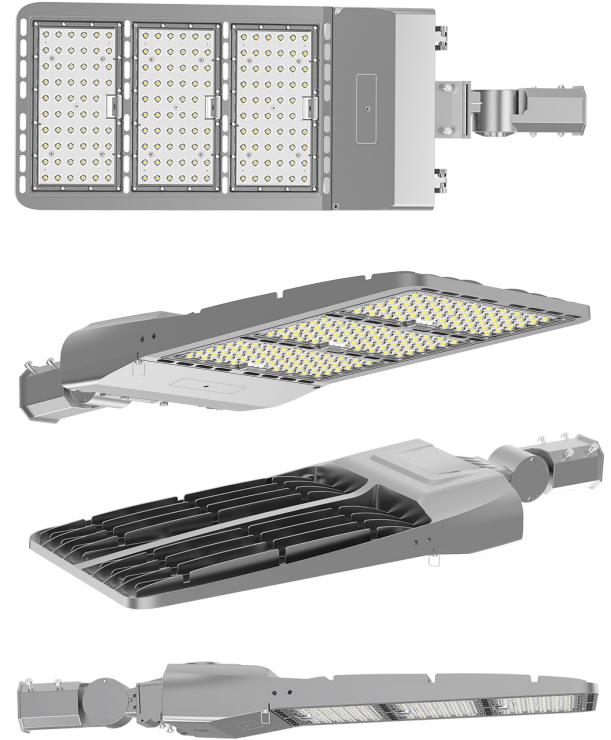
#### Ambient Temperature:

- Ambient operating temperature -40°F to 113°F

#### Lifespan:

- Estimated 70,000-hour LED lifespan based on IES LM-80 results and TM-21 calculations

#### Finish:



### ORDER INFORMATION

EXAMPLE: GLZ4-300W-Y-40K-3M-SF-SV



Series	Wattage	Voltage	CCT	Optics	Mounting	Back-light Shield	Finish
GLZ4 Area Light	80W	Y 120-277V	30K	2M	SF	Blank	BK
	100W		3000K	3M	Slip Fitter	Standard	Black
	150W		35K	3S	DA	BS	WH**
	185W	HV 347-480V	3500K	4M	Direct Arm	Back-light Shield	White
	240W		40K	5M	YK	BZ	
	300W		4000K	Yoke	Bronze		
	400W		50K	TR	SV		
	500W		5000K	Tennis Optics (90°x120°)	Silver		

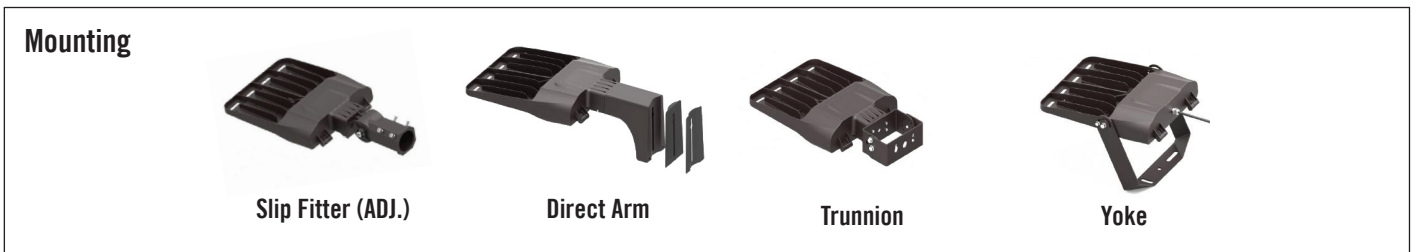
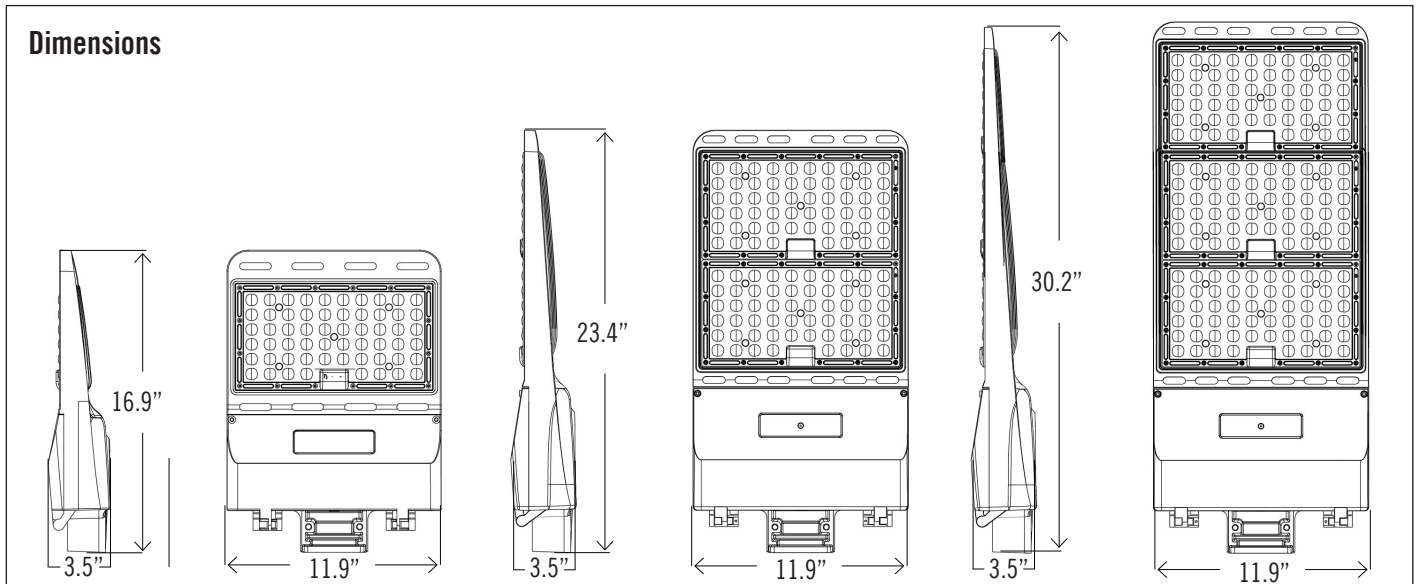
Enter configuration: \_\_\_\_\_

\*\* Special Order

Dimensions and values shown are nominal. LuminosoLED continually works to improve products and reserves the right to make changes which may alter the performance or appearance of products.

**PERFORMANCE DATA**

Series No.	GLZ4-80W	GLZ4-100W	GLZ4-150W	GLZ4-185W	GLZ4-240W	GLZ4-300W	GLZ4-400W	GLZ4-500W
Power	80W	100W	150W	185W	240W	300W	400W	500W
Lumens (T3)	13,600	17,251	24,041	30,265	40,947	48,998	66,419	81,401
Efficacy	170 Lm/W	172 Lm/W	161 Lm/W	164 Lm/W	170 Lm/W	163 Lm/W	166 Lm/W	163 Lm/W
Fixture Weight	13.2 lb	13.7 lb	14.1 lb	14.2 lb	20.3 lb	21.6 lb	27.2 lb	27.5 lb
EPA	0.23ft <sup>2</sup>				0.42ft <sup>2</sup>		0.576ft <sup>2</sup>	
Dimensions (L x W x H)	16 x 11.9 x 3.5 in				23.4 x 11.9 x 3.5 in		30.2 x 11.9 x 3.5 in	
Input	120-277V				120-277V		120-277V	



80W (GLZ4-T3M) Polar Candela	ROADWAY SUMMARY	LCS Table
<p><b>Polar Candela</b> 180° 170° 160° 150° 140°</p> <p>5,100 4,250 3,400 2,550 1,700 850 0.00 850 1,700 2,550 3,400 4,250 5,100</p> <p>VA: 0° 10° 20° 30° 40°</p> <p>■ - Max Cd: 55° H ■ - 0° H ■ - 90° H</p>	Distribution: TYPE III, SHORT Max Cd, 90 Deg Vert: 22.9 Max Cd, 80 to <90 Deg: 371.0 <hr/> Downward Street Side: 8,518.2 63.1% Downward House Side: 4,855.0 35.9% Downward Total: 13,373.2 99% Upward Street Side: 45.8 0.3% Upward House Side: 86.7 0.6% <hr/> Upward Total: 132.5 1% Total Lumens: 13,505.7 100%	<b>BUG Rating</b> <u>B3 - U3 - G2</u> <b>Forward Light</b> Lumens Lumens% Low(0-30): 1,447.1 10.7% Medium(30-60): 4,812.8 35.6% High(60-80): 2,203.4 16.3% Very High(80-90): 54.9 0.4% <b>Back Light</b> Low(0-30): 1,235.4 9.1% Medium(30-60): 2,756.5 20.4% High(60-80): 825.8 6.1% Very High(80-90): 37.3 0.3% <b>Uplight</b> High(90-100): 10.7 0.1% Very High(100-180): 121.8 0.9% <b>Trapped Light:</b> 0.000 0%

100W (GLZ4-T3M) Polar Candela	ROADWAY SUMMARY	LCS Table
<p><b>Polar Candela</b> 180° 170° 160° 150° 140°</p> <p>6,600 5,500 4,400 3,300 2,200 1,100 0.00 1,100 2,200 3,300 4,400 5,500 6,600</p> <p>VA: 0° 10° 20° 30° 40°</p> <p>■ - Max Cd: 55° H ■ - 0° H ■ - 90° H</p>	Distribution: TYPE III, SHORT Max Cd, 90 Deg Vert: 29.2 Max Cd, 80 to <90 Deg: 473.8 <hr/> Downward Street Side: 10,880.6 63.1% Downward House Side: 6,201.4 35.9% Downward Total: 17,082.0 99% Upward Street Side: 58.4 0.3% Upward House Side: 110.8 0.6% <hr/> Upward Total: 169.3 1% Total Lumens: 17,251.2 100%	<b>BUG Rating</b> <u>B3 - U3 - G3</u> <b>Forward Light</b> Lumens Lumens% Low(0-30): 1,848.4 10.7% Medium(30-60): 6,147.5 35.6% High(60-80): 2,814.5 16.3% Very High(80-90): 70.1 0.4% <b>Back Light</b> Low(0-30): 1,578.0 9.1% Medium(30-60): 3,521.0 20.4% High(60-80): 1,054.8 6.1% Very High(80-90): 47.6 0.3% <b>Uplight</b> High(90-100): 13.6 0.1% Very High(100-180): 155.6 0.9% <b>Trapped Light:</b> 0.000 0%

150W (GLZ4-T3M) Polar Candela	ROADWAY SUMMARY	LCS Table
<p><b>Polar Candela</b> 180° 170° 160° 150° 140°</p> <p>9,200 7,667 6,133 4,600 3,067 1,533 0.00 1,533 3,067 4,600 6,133 7,667 9,200</p> <p>VA: 0° 10° 20° 30° 40°</p> <p>■ - Max Cd: 55° H ■ - 0° H ■ - 90° H</p>	Distribution: TYPE III, SHORT Max Cd, 90 Deg Vert: 54.8 Max Cd, 80 to <90 Deg: 705.2 <hr/> Downward Street Side: 15,119.9 62.9% Downward House Side: 8,678.6 36.1% Downward Total: 23,798.5 99% Upward Street Side: 89.0 0.4% Upward House Side: 154.0 0.6% <hr/> Upward Total: 242.9 1% Total Lumens: 24,041.4 100%	<b>BUG Rating</b> <u>B3 - U3 - G3</u> <b>Forward Light</b> Lumens Lumens% Low(0-30): 2,598.2 10.8% Medium(30-60): 8,646.3 36% High(60-80): 3,773.5 15.7% Very High(80-90): 102.0 0.4% <b>Back Light</b> Low(0-30): 2,247.1 9.3% Medium(30-60): 4,916.1 20.4% High(60-80): 1,440.9 6% Very High(80-90): 74.5 0.3% <b>Uplight</b> High(90-100): 18.1 0.1% Very High(100-180): 224.8 0.9% <b>Trapped Light:</b> 0.000 0%

185W (GLZ4-T3M) Polar Candela	ROADWAY SUMMARY	LCS Table
<p><b>Polar Candela</b> 180° 170° 160° 150° 140° 120° 110° 100° 90° 80° 70° 60° 50° VA: 0° 10° 20° 30° 40° - Max Cd: 55° H - 0° H - 90° H</p>	Distribution: TYPE III, SHORT Max Cd, 90 Deg Vert: 69.2 Max Cd, 80 to <90 Deg: 994.3 <hr/> Downward Street Side: 19,236.1 63.6% Downward House Side: 10,727.5 35.4% Downward Total: 29,963.6 99% Upward Street Side: 104.1 0.3% Upward House Side: 197.7 0.7% <hr/> Upward Total: 301.8 1% Total Lumens: 30,265.3 100%	<b>BUG Rating</b> <u>B4 - U3 - G3</u> <b>Forward Light</b> Lumens Lumens% Low(0-30): 3,247.6 10.7% Medium(30-60): 10,832.6 35.8% High(60-80): 5,022.9 16.6% Very High(80-90): 132.9 0.4% <b>Back Light</b> Low(0-30): 2,756.7 9.1% Medium(30-60): 6,130.9 20.3% High(60-80): 1,761.5 5.8% Very High(80-90): 78.4 0.3% <b>Uplight</b> High(90-100): 25.3 0.1% Very High(100-180): 276.5 0.9% <b>Trapped Light:</b> 0.000 0%

240W (GLZ4-T3M) Polar Candela	ROADWAY SUMMARY	LCS Table
<p><b>Polar Candela</b> 180° 170° 160° 150° 140° 130° 120° 110° 100° 90° 80° 70° 60° 50° VA: 0° 10° 20° 30° 40° - Max Cd: 55° H - 0° H - 90° H</p>	Distribution: TYPE III, SHORT Max Cd, 90 Deg Vert: 102.4 Max Cd, 80 to <90 Deg: 1,128.6 <hr/> Downward Street Side: 25,831.1 63.1% Downward House Side: 14,715.6 35.9% Downward Total: 40,546.7 99% Upward Street Side: 140.8 0.3% Upward House Side: 259.7 0.6% <hr/> Upward Total: 400.5 1% Total Lumens: 40,947.2 100%	<b>BUG Rating</b> <u>B4 - U3 - G3</u> <b>Forward Light</b> Lumens Lumens% Low(0-30): 4,416.4 10.8% Medium(30-60): 14,891.5 36.4% High(60-80): 6,345.3 15.5% Very High(80-90): 178.0 0.4% <b>Back Light</b> Low(0-30): 3,729.3 9.1% Medium(30-60): 8,401.4 20.5% High(60-80): 2,451.4 6% Very High(80-90): 133.5 0.3% <b>Uplight</b> High(90-100): 36.5 0.1% Very High(100-180): 364.0 0.9% <b>Trapped Light:</b> 0.000 0%

300W (GLZ4-T3M) Polar Candela	ROADWAY SUMMARY	LCS Table
<p><b>Polar Candela</b> 180° 170° 160° 150° 140° 130° 120° 110° 100° 90° 80° 70° 60° 50° VA: 0° 10° 20° 30° 40° - Max Cd: 55° H - 0° H - 90° H</p>	Distribution: TYPE III, SHORT Max Cd, 90 Deg Vert: 236.0 Max Cd, 80 to <90 Deg: 1,285.2 <hr/> Downward Street Side: 30,913.2 63.1% Downward House Side: 17,584.4 35.9% Downward Total: 48,497.6 99% Upward Street Side: 195.7 0.4% Upward House Side: 305.0 0.6% <hr/> Upward Total: 500.7 1% Total Lumens: 48,998.3 100%	<b>BUG Rating</b> <u>B5 - U3 - G4</u> <b>Forward Light</b> Lumens Lumens% Low(0-30): 5,439.5 11.1% Medium(30-60): 18,238.0 37.2% High(60-80): 7,032.3 14.4% Very High(80-90): 203.4 0.4% <b>Back Light</b> Low(0-30): 4,430.1 9% Medium(30-60): 10,092.8 20.6% High(60-80): 2,895.5 5.9% Very High(80-90): 166.1 0.3% <b>Uplight</b> High(90-100): 52.5 0.1% Very High(100-180): 448.2 0.9% <b>Trapped Light:</b> 0.000 0%

400W (GLZ4-T3M) Polar Candela	ROADWAY SUMMARY	LCS Table																																							
<p>VA: 0° 10° 20° 30° 40°</p>	Distribution: TYPE III, SHORT Max Cd, 90 Deg Vert: 287.5 Max Cd, 80 to <90 Deg: 1,972.1 <hr/> Downward Street Side: 42,329.5 63.7% Downward House Side: 23,433.4 35.3% Downward Total: 65,762.9 99% Upward Street Side: 208.3 0.3% Upward House Side: 412.3 0.6% <hr/> Upward Total: 620.6 0.9% Total Lumens: 66,383.5 99.9%	<b>BUG Rating</b> <u>B5 - U4 - G4</u> <b>Forward Light</b> <table border="1"> <thead> <tr> <th></th> <th>Lumens</th> <th>Lumens%</th> </tr> </thead> <tbody> <tr> <td>Low(0-30):</td> <td>7,384.7</td> <td>11.1%</td> </tr> <tr> <td>Medium(30-60):</td> <td>25,326.8</td> <td>38.1%</td> </tr> <tr> <td>High(60-80):</td> <td>9,321.1</td> <td>14%</td> </tr> <tr> <td>Very High(80-90):</td> <td>296.9</td> <td>0.4%</td> </tr> </tbody> </table> <b>Back Light</b> <table border="1"> <thead> <tr> <th></th> <th>Lumens</th> <th>Lumens%</th> </tr> </thead> <tbody> <tr> <td>Low(0-30):</td> <td>6,029.5</td> <td>9.1%</td> </tr> <tr> <td>Medium(30-60):</td> <td>13,478.2</td> <td>20.3%</td> </tr> <tr> <td>High(60-80):</td> <td>3,694.9</td> <td>5.6%</td> </tr> <tr> <td>Very High(80-90):</td> <td>230.9</td> <td>0.3%</td> </tr> </tbody> </table> <b>Uplight</b> <table border="1"> <thead> <tr> <th></th> <th>Lumens</th> <th>Lumens%</th> </tr> </thead> <tbody> <tr> <td>High(90-100):</td> <td>55.1</td> <td>0.1%</td> </tr> <tr> <td>Very High(100-180):</td> <td>565.5</td> <td>0.9%</td> </tr> </tbody> </table> <b>Trapped Light:</b> 35.5 0.1%		Lumens	Lumens%	Low(0-30):	7,384.7	11.1%	Medium(30-60):	25,326.8	38.1%	High(60-80):	9,321.1	14%	Very High(80-90):	296.9	0.4%		Lumens	Lumens%	Low(0-30):	6,029.5	9.1%	Medium(30-60):	13,478.2	20.3%	High(60-80):	3,694.9	5.6%	Very High(80-90):	230.9	0.3%		Lumens	Lumens%	High(90-100):	55.1	0.1%	Very High(100-180):	565.5	0.9%
		Lumens	Lumens%																																						
Low(0-30):	7,384.7	11.1%																																							
Medium(30-60):	25,326.8	38.1%																																							
High(60-80):	9,321.1	14%																																							
Very High(80-90):	296.9	0.4%																																							
	Lumens	Lumens%																																							
Low(0-30):	6,029.5	9.1%																																							
Medium(30-60):	13,478.2	20.3%																																							
High(60-80):	3,694.9	5.6%																																							
Very High(80-90):	230.9	0.3%																																							
	Lumens	Lumens%																																							
High(90-100):	55.1	0.1%																																							
Very High(100-180):	565.5	0.9%																																							

500W (GLZ4-T3M) Polar Candela	ROADWAY SUMMARY	LCS Table																																							
<p>VA: 0° 10° 20° 30° 40°</p>	Distribution: TYPE III, SHORT Max Cd, 90 Deg Vert: 283.8 Max Cd, 80 to <90 Deg: 3,364.4 <hr/> Downward Street Side: 51,686.3 63.5% Downward House Side: 28,924.7 35.5% Downward Total: 80,611.0 99% Upward Street Side: 259.7 0.3% Upward House Side: 504.5 0.6% <hr/> Upward Total: 764.2 0.9% Total Lumens: 81,375.2 100%	<b>BUG Rating</b> <u>B5 - U4 - G5</u> <b>Forward Light</b> <table border="1"> <thead> <tr> <th></th> <th>Lumens</th> <th>Lumens%</th> </tr> </thead> <tbody> <tr> <td>Low(0-30):</td> <td>8,825.0</td> <td>10.8%</td> </tr> <tr> <td>Medium(30-60):</td> <td>29,803.1</td> <td>36.6%</td> </tr> <tr> <td>High(60-80):</td> <td>12,683.3</td> <td>15.6%</td> </tr> <tr> <td>Very High(80-90):</td> <td>374.9</td> <td>0.5%</td> </tr> </tbody> </table> <b>Back Light</b> <table border="1"> <thead> <tr> <th></th> <th>Lumens</th> <th>Lumens%</th> </tr> </thead> <tbody> <tr> <td>Low(0-30):</td> <td>7,400.0</td> <td>9.1%</td> </tr> <tr> <td>Medium(30-60):</td> <td>16,519.5</td> <td>20.3%</td> </tr> <tr> <td>High(60-80):</td> <td>4,733.7</td> <td>5.8%</td> </tr> <tr> <td>Very High(80-90):</td> <td>271.5</td> <td>0.3%</td> </tr> </tbody> </table> <b>Uplight</b> <table border="1"> <thead> <tr> <th></th> <th>Lumens</th> <th>Lumens%</th> </tr> </thead> <tbody> <tr> <td>High(90-100):</td> <td>70.6</td> <td>0.1%</td> </tr> <tr> <td>Very High(100-180):</td> <td>693.6</td> <td>0.9%</td> </tr> </tbody> </table> <b>Trapped Light:</b> 25.8 0%		Lumens	Lumens%	Low(0-30):	8,825.0	10.8%	Medium(30-60):	29,803.1	36.6%	High(60-80):	12,683.3	15.6%	Very High(80-90):	374.9	0.5%		Lumens	Lumens%	Low(0-30):	7,400.0	9.1%	Medium(30-60):	16,519.5	20.3%	High(60-80):	4,733.7	5.8%	Very High(80-90):	271.5	0.3%		Lumens	Lumens%	High(90-100):	70.6	0.1%	Very High(100-180):	693.6	0.9%
		Lumens	Lumens%																																						
Low(0-30):	8,825.0	10.8%																																							
Medium(30-60):	29,803.1	36.6%																																							
High(60-80):	12,683.3	15.6%																																							
Very High(80-90):	374.9	0.5%																																							
	Lumens	Lumens%																																							
Low(0-30):	7,400.0	9.1%																																							
Medium(30-60):	16,519.5	20.3%																																							
High(60-80):	4,733.7	5.8%																																							
Very High(80-90):	271.5	0.3%																																							
	Lumens	Lumens%																																							
High(90-100):	70.6	0.1%																																							
Very High(100-180):	693.6	0.9%																																							