

Project:		Date
Type:		
Model#		

LZR Series LED Canopy Light

PRODUCT DESCRIPTION

The Luminoso LZR Series is the ideal solution when seeking to design a new construction project or retrofit an existing canopy. Users of the LZR can expect energy savings in excess of 70% without sacrificing crucial light levels. It is available in either a 40W or 60W and with lumen packages ranging from 4,690 - 7,108, with an average Efficacy 118 Lm/W.

PERFORMANCE SUMMARY

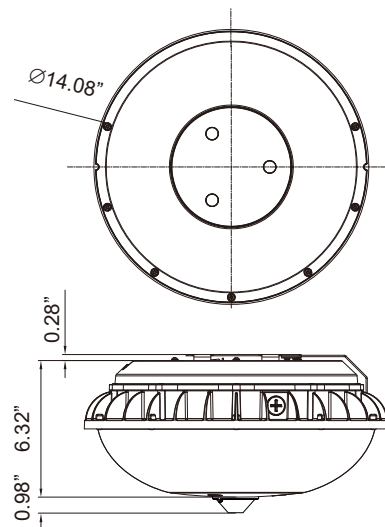
Efficacy: 117 / 118 Lm/W
Delivered Light Output: 4,690 / 7,108
Watts: 40W / 60W
CRI: Ra>80
CCT: 3000K, 4000K, 5000K
Input Voltage: 120-277VAC
Power Factor: 0.9
Operating Temperature: -4°F ~ 104°F
Dimming: 0-10V
Standard Warranty: 7 Years
Standard Lifetime: Designed to L70 minimum 50,000 hours
IP Rating: IP65
Certifications: ETL
Materials: Cast Aluminum
Lens: PC (polycarbonate)
Measurements: W 14.1 x H 6.3 (7.3 w/sensor)

APPLICATIONS:

Sporting Facility / Parking Garage / Canopy



Optional Doppler/Daylight Harvesting Sensor



ORDER INFORMATION

EXAMPLE: LZR-60W-Y-40K-5M-DM-SV-MS



Series	Wattage	Voltage	CCT	Beam	Mount	Finish	Option
LZR	40W 60W	Y = 120-277V	30K = 3000K 40K = 4000K 50K = 5000K	5M	DM = Direct Mount	WT = White SV = Silver	Leave blank Standard MS = Doppler Daylight Harvesting Sensor

Enter configuration:

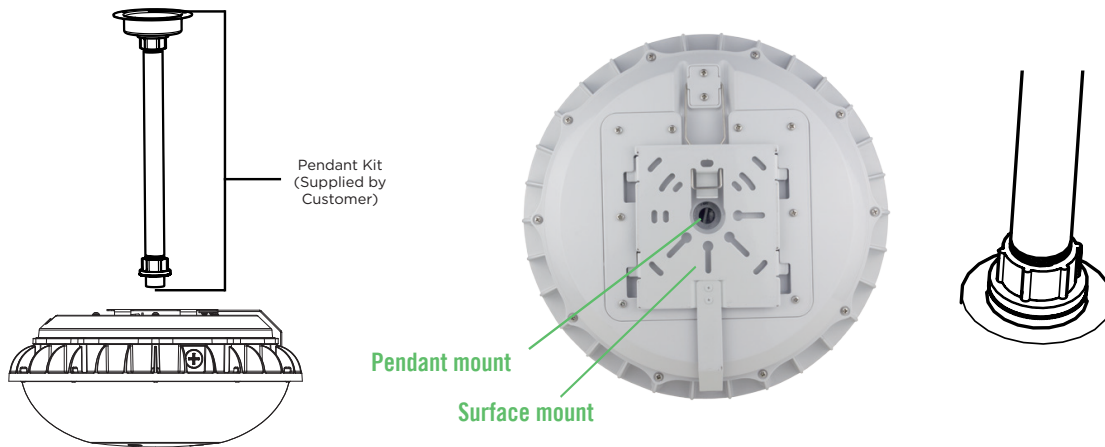
** Special Order / contact vendor

Series / Performance

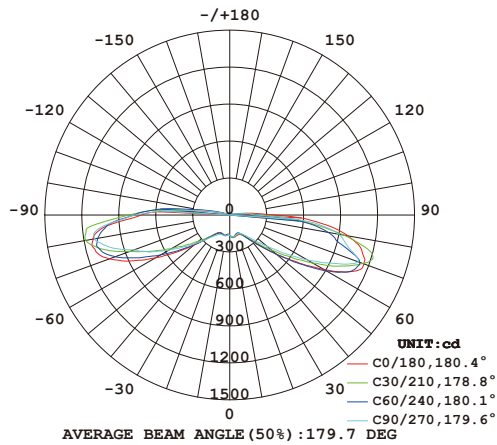
Series No.	LZR-40W	LZR-60W
Power	40W	60W
Lumens	4,690	7,108
Efficacy	117 Lm/W	118 Lm/W
Dimensions (W x H)	13.9 x 7.3 in	13.9 x 7.3 in
Net / Gross weight	10.5lbs / 13lbs	
Input	120-277V	

Construction

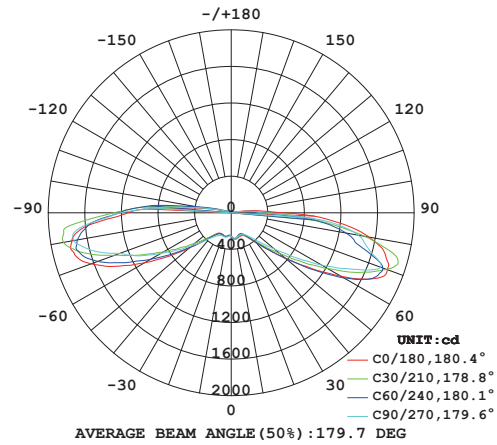
- Heavy-duty cast aluminum housing; rust and corrosion resistant; polyester powder coating
- Diffuser: High light transmittance & Polycarbonate with UV
- LEDs: Top grade LED, high-output, long-life;
- Heat Sink: Aluminum sink attached to the housing directly to reduce LED heats and add to life
- LED Driver: IP65/ Constant current
- Finish: Silver finish. Environmentally friendly polyester powder coatings.



Photometric



40W



60W