

Project:	
Types:	
Model#	

MWPK Series LED Wall Pack

PRODUCT DESCRIPTION

The Luminoso MWPK series combines traditional styling with the latest LED technology. This design is available in 90, and 135W watts. The high pressure die cast housing along with anti-static powder painting makes this product ideal for exterior applications. The MWPK's highly efficient cooling system allows lower running temperatures translating into a maximized product life. The wall pack has a built in UL class driver and is also rated for damp and wet locations. Ideal for entry ways, area perimeters, stairwells and hallways this product offers the added security and cost effectiveness to meet any demand.

PERFORMANCE SUMMARY

Efficacy: 120 - 124 Lm/W
Delivered Light Output: 11,200 - 16,400 Lumens
Power: 90-135 Watts
CRI: Ra>70
CCT: 4000K - 5000K
Input Voltage: 120 - 277 VAC
Power Factor: > 0.9 (120V)
IP Rating: IP65
Standard Warranty: 5 Years
Non-dimmable
Standard Lifetime: Designed to L70 minimum 50,000 hours
Qualifications: UL Listed



ORDER INFORMATION

EXAMPLE: MWPK-14-90W-50K-3M-Y-BZ



Series	Mount	Wattage	CCT	Optics	Voltage	Finish	Options (Photocell)	Dark Sky
MWPK	14 = Direct Mount	90W 135W	40K = 4000K 50K = 5000K	3M = 180° (Half Round)	Y = 120-277V	WH = White BZ = Bronze	PC-120V PC-277V	US = Up-light Shield (Dark Sky Compliant)

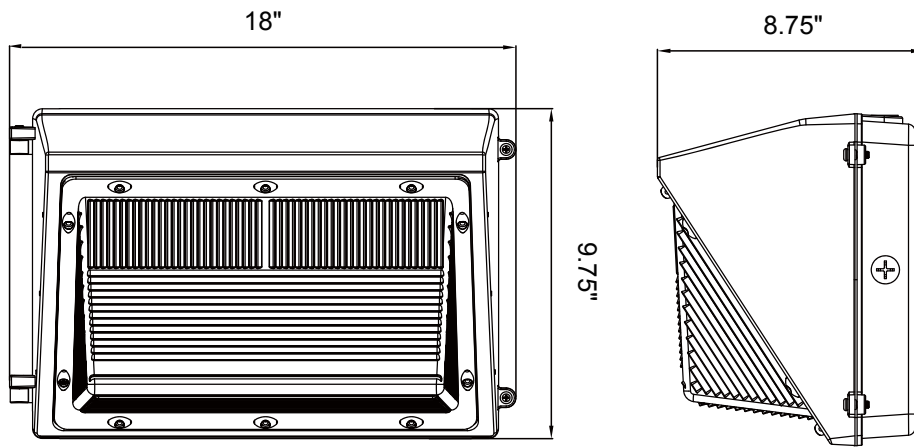
Enter configuration:

** Special Order / contact vendor

Series / Performance

Series No.	MWPK-90W	MWPK-135W
Power	90W	135W
Lumens	(40K) 10,928 / (50K) 11,200	(40K) 15,691 / (50K) 16,400
Efficacy	124 LPW	120 LPW
Dimensions (L x W x H)	8.75 x 18 x 9.75 in	8.75 x 18 x 9.75 in
Input	120-277V	120-277V
Input Current	0.33 - 0.14 Amps (120-277V)	0.33 - 0.14 Amps (120-277V)

Dimensions



Photometric Data

