

Project		Date
Type		
Model		

MWPK2 LED Wall Pack

Specification Features

- Diecast aluminum profile for outdoor applications.
- Sealed aluminum casting thermally conducts LED heat to optimize performance and long life.
- Light engines are available in standard 4000K and 5000K at (80 CRI) configurations.
- Scalable Lumen Packages from 3,900 to 16,875 Lumens.
- Polycarbonate UV coated optical lens provide outstanding performance, uniformity and glare control.
- Available in 120-277 or 347-480 VAC input voltage.
- Greater than 0.9 power factor, less than 20% harmonic distortion.
- Suitable for operation in -40°F to 113°F ambient environments.
- Estimated 50,000-hour LED lifespan based on IES LM-80 results and TM-21 calculations.



Housing
Suitable for both indoor and outdoor application, also suitable for J-BOX mounting and surface mounting.

Photocell
Optional photocell allows for security and energy saving

1/2inch threaded hole
3pc's hole can support wires coming out from the hole for easier wire connections

Lens
Polycarbonate optical lens with UV stabilizers does not yellow or warp.



ACCESSORIES

Photocell

No. PC-JL-120-277V
USE: Photocell is field installed or pre-installed in factory by requesting



ORDER INFORMATION

EXAMPLE: MWPK2-14-40W-40K-3M-Y-BZ



Pending

Series	Mount	Wattage	CCT	Optics	Voltage	Finish	Photocell
MWPK2	14 = Direct Mount	30W 40W 65W 90W 125W	40K = 4000K 50K = 5000K	3M	Y = 120-277V	BZ = Bronze WH = White	Blank = standard PC=120-277V

Enter configuration:

** Special Order

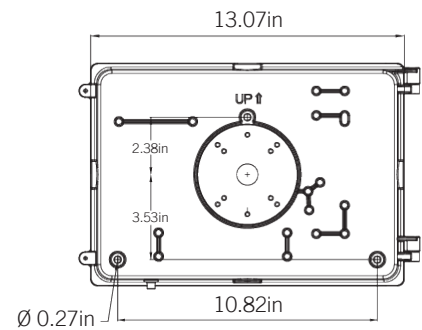
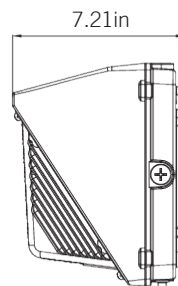
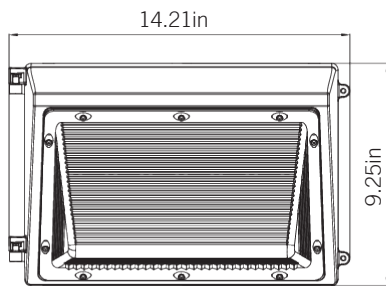
Dimensions and values shown are nominal. LuminosoLED continually works to improve products and reserves the right to make changes which may alter the performance or appearance of products.

PERFORMANCE DATA

PERFORMANCE DATA		4000K (80CRI)		5000K (80CRI)	
WATTS	VOLTAGE	LUMENS	EFFICACY	LUMENS	EFFICACY
30W	120-277VAC	3,690	123lm/W	3,750	125lm/W
40W	120-277VAC	4,920	123lm/W	5,000	125lm/W
40W	347-480VAC	4,920	123lm/W	5,000	125lm/W
65W	120-277VAC	8,060	124lm/W	8,200	126lm/W
65W	347-480VAC	8,060	124lm/W	8,200	126lm/W
90W	120-277VAC	11,250	125lm/W	11,430	127lm/W
90W	347-480VAC	11,250	125lm/W	11,430	127lm/W
125W	120-277VAC	15,625	125lm/W	15,750	126lm/W
125W	347-480VAC	15,625	125lm/W	15,750	126lm/W

DIMENSIONS

Weight
 30W: 6.327lb
 40W: 6.525lb
 65W: 6.724lb
 90W: 7.319lb
 125W: 8.157lb



PHOTOMETRICS

