

6" Round Commercial Downlight

Project:

Type:

Model#

DESCRIPTION

The Luminoso 6inch RCD Commercial LED Downlight is damp rated with a flexible conduit lead for easy install to the existing junction box. Suitable for 100-277VAC input, the RCD delivers a high lumen output of 95 Lm/W and achieves 80+ CRI. It is available in 3000K, 4000K and 5000K.

PRODUCT SPECIFICATIONS

- White painted stamped aluminum body.
- Oversized trim ring.
- 2 clips per-installed on unit for easy installation.
- No Housings necessary.

LED LIGHT ENGINE

- Protected LED driver performs at 120-277V.
- Dimming down to 5% with most TRIAC dimmers (**at 120V only**).
- CCT 3000K, 4000K, 5000K available
- CRI 80
- Long life LED chips guaranteed up to 50,000 hours.

LISTINGS

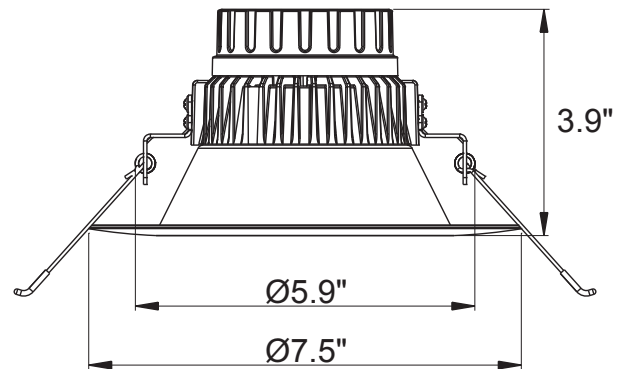
- ETL classified
- Energy star qualified
- Damp locations
- RoHS compliances
- Tested in accordance with IESNA LM79 & LM80

PERFORMANCE DATA

Lumens	Watts	CRI	Input Voltage	Frequency
870 Lm	10W	80	120-277V	50/60Hz
1,480 Lm	18W			



DIMENSIONS

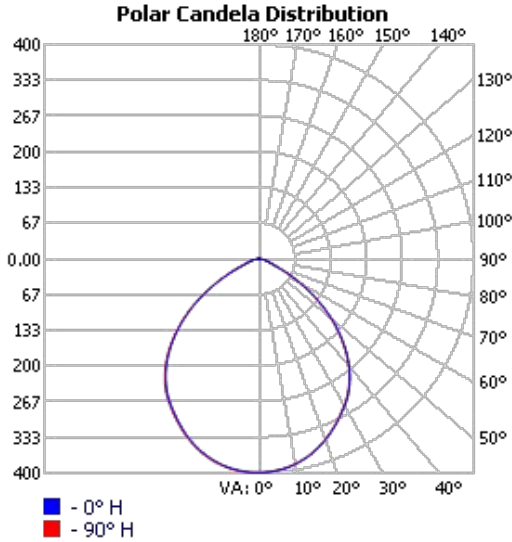


Series	Watts	Volts	CCT	Mount	Reflector
RCD-6	10W 18W	Y = 120-277V	27K = 3000K 30K = 3500K 40K = 4000K 50K = 5000K	19 = Fixture Whip	WH = White HZ = Haze

Enter configuration:

Example: RCD-6-18W-Y-35K-19-HZ

RCD-6-10W



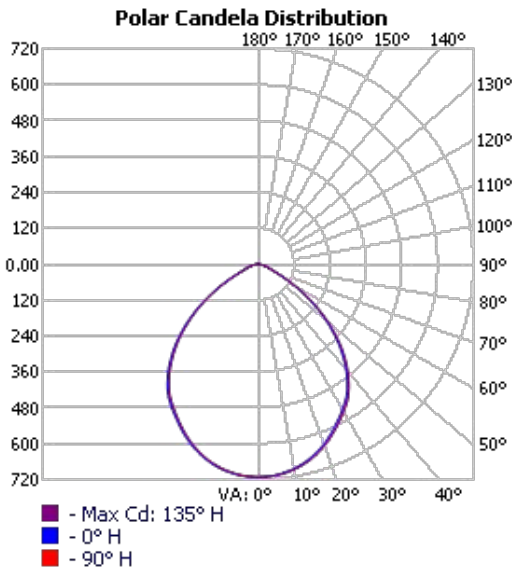
ZONAL LUMEN SUMMARY

ZONE	LUMENS	% LAMP	% LUMINAIRE
0-30	535.4	36.1%	36.1%
0-40	859.9	58%	58%
0-60	1,359.1	91.7%	91.7%
60-90	120.6	8.1%	8.1%
70-100	41.6	2.8%	2.8%
90-120	0.3	0%	0%
0-90	1,479.7	99.9%	99.9%
90-180	1.7	0.1%	0.1%
0-180	1,481.4	100%	100%

ILLUMINANCE AT A DISTANCE

HEIGHT(M)	CENTER BEAM FOOTCANDLE	BEAM SPREAD(M)		FIELD SPREAD(M)	
		HORIZONTAL	VERTICAL	HORIZONTAL	VERTICAL
1.00	398.81 LUX	2.3	2.3	4.6	4.6
2.00	99.70 LUX	4.5	4.5	9.2	9.3
3.00	44.31 LUX	6.8	6.8	13.9	13.9
4.00	24.93 LUX	9.0	9.0	18.5	18.6
5.00	15.95 LUX	11.3	11.3	23.1	23.2
6.00	11.08 LUX	13.5	13.5	27.7	27.9
		BEAM ANGLE		FIELD ANGLE	
		96.8°		133.2°	
		96.9°		133.4°	

RCD-6-18W



ZONAL LUMEN SUMMARY

ZONE	LUMENS	% LAMP	% LUMINAIRE
0-30	301.9	35%	35%
0-40	486.7	56.4%	56.4%
0-60	785.2	91.1%	91.1%
60-90	76.1	8.8%	8.8%
70-100	24.0	2.8%	2.8%
90-120	0.1	0%	0%
0-90	861.3	99.9%	99.9%
90-180	0.9	0.1%	0.1%
0-180	862.2	100%	100%

ILLUMINANCE AT A DISTANCE

HEIGHT(M)	CENTER BEAM FOOTCANDLE	BEAM SPREAD(M)		FIELD SPREAD(M)	
		HORIZONTAL	VERTICAL	HORIZONTAL	VERTICAL
1.00	710.94 LUX	2.2	2.2	4.4	4.4
2.00	177.74 LUX	4.3	4.3	8.7	8.7
3.00	78.99 LUX	6.5	6.5	13.1	13.1
4.00	44.43 LUX	8.6	8.6	17.5	17.5
5.00	28.44 LUX	10.8	10.8	21.8	21.8
6.00	19.75 LUX	13.0	13.0	26.2	26.2
		BEAM ANGLE		FIELD ANGLE	
		94.4°		130.8°	
		94.4°		130.8°	