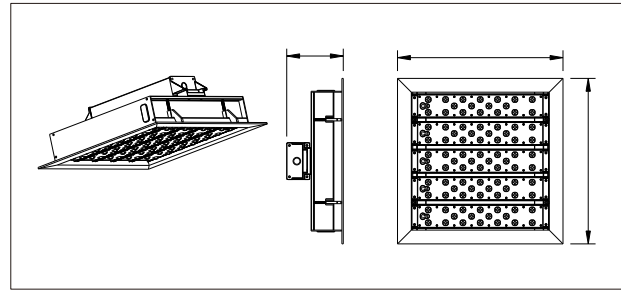


PLEASE READ THESE INSTRUCTIONS CAREFULLY BEFORE INSTALLATION

IMPORTANT INSTALLATION INFORMATION

1. Operating temperature: -40°C—+50°C. The SBR Series are suitable for gas station, toll gate, platform, factory and warehouse applications.
2. Before commencing installation or repairs, ensure that power mains are switched off. Only registered or licenced electricians are allowed to conduct installation or repairs.
3. Light fixture should not be installed nearby or on flammable materials and must be installed away from heat sources. hazard.
4. Recommended installation height above lighted area: 6-12 meters, and suitable for indoor use.
5. All light fixtures run hot therefore the space surrounding the light fixture shall have adequate airflow spacing of at least 50cm omnidirectionally from the outer case. Fire hazards and local safety ordinances shall be taken into consideration by the installer before commissioning.

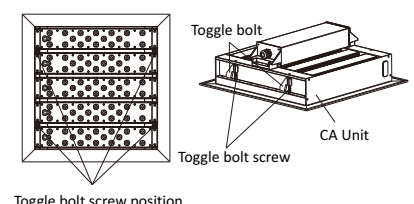


Main specifications:

Model No.	No. of leds	Nominal Wattage	Dimensions (L x W x H)	Net Weight	Gross Weight	Cut-out(LXW)
SBR:120-277VAC or 220-240VAC,30w/module						
SBR-90	54	90W	240(9.45")X360(14.17")X123mm(4.84")	4.24kg (9.35lbs)	5.29kg (11.66lbs)	195X(7.68")X315mm(12.4")
SBR-120	72	120W	300(11.81")X360(14.17")X123mm(4.84")	4.87kg (10.74lbs)	5.92kg (13.05lbs)	255X(10.04")X315mm(12.4")
SBR-150	90	150W	360(14.17")X360(14.17")X123mm(4.84")	5.5kg (12.13lbs)	6.55 kg (14.44lbs)	315X(12.4")X315mm(12.4")
SBR-180	108	180W	420(16.54")X360(14.17")X123mm(4.84")	6.13kg (13.51lbs)	7.18 kg (15.83lbs)	375X(14.76")X315mm(12.4")
SBR: 120-277VAC or 220-240VAC, 40w/module						
SBR-120-B	54	120W	240(9.45")X360(14.17")X123mm(4.84")	4.24kg (9.35lbs)	5.29kg (11.66lbs)	195X(7.68")X315mm(12.4")
SBR-160-B	72	160W	300(11.81")X360(14.17")X123mm(4.84")	4.87kg (10.74lbs)	5.92kg(13.05lbs)	255X(10.04")X315mm(12.4")
SBR-200-B	90	200W	360(14.17")X360(14.17")X123mm(4.84")	5.5kg (12.13lbs)	6.55kg (14.44lbs)	315X(12.4")X315mm(12.4")
SBR-240-B	108	240W	420(16.54")X360(14.17")X123mm(4.84")	6.13kg (13.51lbs)	7.18 kg (15.83lbs)	375X(14.76")X315mm(12.4")
SBR*H: 347-480VAC , 40w/module						
SBR-120H	54	120W	240(9.45")X360(14.17")X123mm(4.84")	4.24kg (9.35lbs)	5.29kg (11.66lbs)	195X(7.68")X315mm(12.4")
SBR-160H	72	160W	300(11.81")X360(14.17")X123mm(4.84")	4.87kg (10.74lbs)	5.92kg (13.05lbs)	255X(10.04")X315mm(12.4")

Installation Instruction & Installation Steps

1

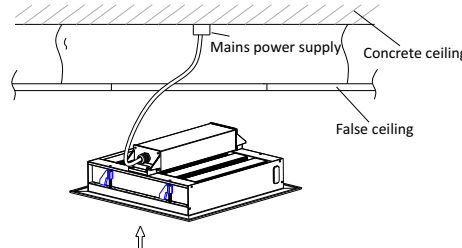


Toggle bolt screw position

STEP 1:

1. Cut open a hole at the area of intended installation according to above specifications.
2. Pre-check the four toggle bolts and its position and make sure they are shown as Figure 1.

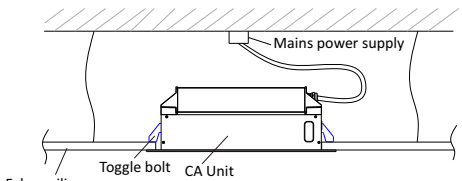
2



STEP 2:

1. Connect mains power supply to the power cord from the light body.

3



STEP 3:

1. Push the light body into the pre-cut hole. The toggles will be fixed to the false ceiling by tightening the four toggle bolt screws counter-clockwise at 1-1.5 N.m torque. See Figure 3.
2. If in need of taking down the fixture, unscrew the four toggle bolt screws clockwise at 1-1.5 N.m torque and have the toggles back to previous position as Figure 1, the light body can be departed from the false ceiling.

WIRING INSTRUCTION

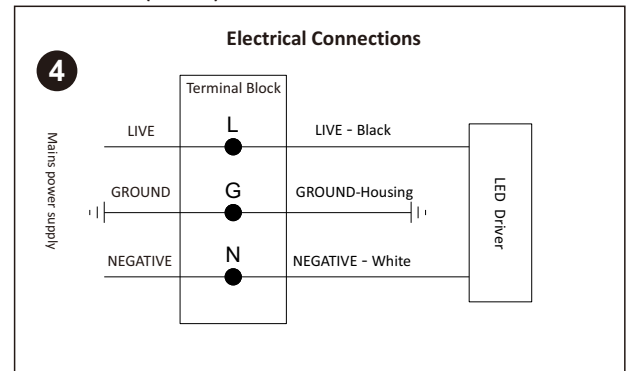
STEP I: Connect the LIVE wire in the mains power supply cord to the "L" marked hole in the terminal block and tighten the connection properly.

STEP II: Connect the NEGATIVE wire in the mains power supply cord to the "N" marked hole in the terminal block and tighten the connection properly.

STEP III: Connect the YELLOW/GREEN GROUNDING wire in the mains power supply cord to the "G" marked hole in the terminal block and tighten the connection properly.

Alternating Current

Input wire H07RN-F 3x1.5mm² (SJOW 3 * 18AWG) or rubber sheathed cable (not supplied). Conductor must have a minimum cross-sectional area of 1.0mm² (18AWG).



This logo indicates that this product must not be disposed of with other waste. Please recycle used lamps to prevent environmental hazard and threats to human health resulting from improper disposal.