

Project:		Date
Type:		
Model#		

VPR-65W Series LED Vapor Tight

PRODUCT DESCRIPTION

The Luminoso VPR series has completely reset the industry standard in the world of vapor tight fixtures. This product's specifications truly speaks to the technological advancements Luminoso is striving to provide to its customers. This product's low profile design makes it a perfect replacement for T8 and T5 fixtures. Its wide distribution angle is ideal for lighting applications such as garages, stairwells, warehouses, manufacturing and service areas. Lastly, the VPR series' exceptional 50,000+ hours of operation and wattage reductions of over 50% from its traditional counterparts makes it a truly revolutionary product.

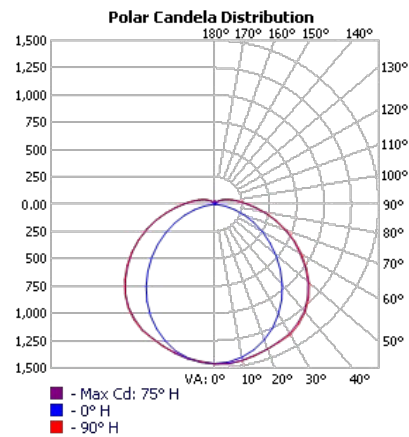
PERFORMANCE SUMMARY

Efficacy: 130 Lm/W
Delivered Light Output: 8,700 Lumens
Input Power: 65 Watts
CRI: Ra>82
CCT: 3500K 4000K 5000K
Input Voltage: 120-277 VAC
Input current: 0.4 -0.17A
THD: <20% (120V)
Power Factor 40W / >0.93 (120V)
Frequency: 60 Hz
Standard Warranty: 5 Years
Standard Lifetime: Designed to L70 minimum 50,000 hours
Mounting: Direct Mount
Dimming: 0-10v dimming, 10%-100% smooth linear dimming
Rating: IP66
Dimensions 60W: (L 61.6" x W 4.8" x H 4.2")



frosted

Luminosity Intensity Distribution Diagram



ORDER INFORMATION

EXAMPLE: VPR-14-65W-50K-J-Y-FR-MS



Series	Mount	Wattage	CCT	Optics	Voltage	Lens	Sensor Options	Accessories	Option
VPR	14= Direct Mount	65W	35K = 3500K** 40K = 4000K 50K = 5000K	J=120°	Y = 120-277V	FR=Frosted CL=Clear	Blank = None HFD = High Frequency Doppler	Blank = None 3HK = 3 Meter Hanging Kit 5HK = 5 Meter Hanging Kit	Blank = None EB = Emergency Batter Back up

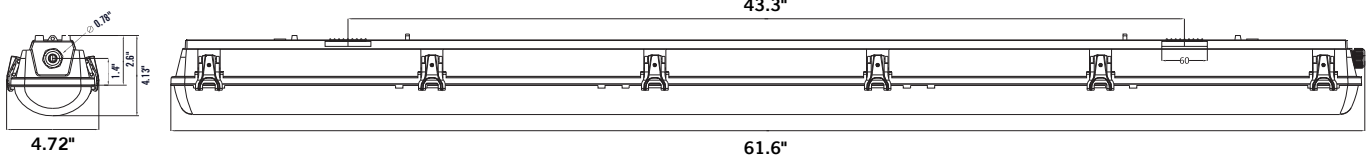
Enter configuration:

** Special Order

Series / Performance

Series No.	VPR-65W
Power	65W
Lumens	(40K) 8,500 / (50K) 8,700 Lm
Efficacy	130 Lm/w
Gross Weight	5.1 lb
Dimensions (L x W x H)	61.6 x 4.8 x 4.2 in
Input	120-277V AC
Housing/Diffuser	Polycarbonate

Dimensions



Installation Instructions & Options

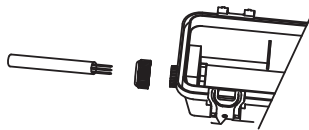
A: Insert $\varnothing 6\text{mm}$ anchors for screws. Then apply mounting bracket

B:

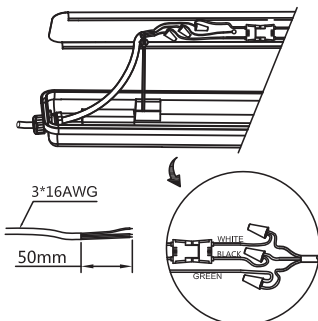
- ① Lift clips - picture A
- ② Remove the diffuser - picture B
- ③ Hold the stainless fixator, remove the gear tray - picture C

C:

- ① Remove pipe thread, and feed wire through gland. Seal & clamp system allows the cord connector to tighten as you tighten threaded seal.

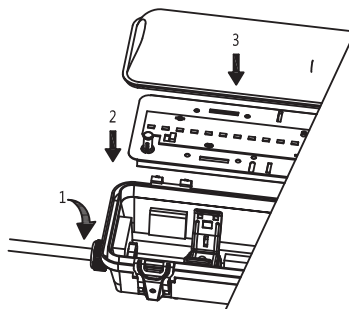


② Connect the cable on the terminal block as shown below and tighten the cable gland.



D:

- ① Tighten cable gland as show below
- ② Fix gear tray with the housing
- ③ Snap on diffuser



E:

- ① Fix the lamp on the wall or ceiling.